

# Survey-Grade, Full-Constellation GNSS Antenna



Multi-Sensor RTK Modules and  
RTCM Reference Station

Survey-grade, multi-frequency, full constellation GNSS antenna with IP67 rated water and dustproof design

High gain, wide beam width, and top performance even at low elevation angles.

Multipath suppression technique improves performance in challenging environments.

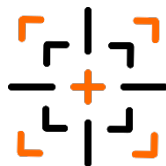
Multi-feed design to ensure superposition of phase center and geometrical center

## Frequencies:

GPS L1/L2/L5/L-Band,  
Galileo E1/E5a/E5b/E6,  
GLONASS L1/L2/L3,  
Beidou B1/B2/B3  
QZSS L1/L2/L5/L6



Stable Carrier  
Phase Center



Accurate Attitude  
and Position



Compact  
Design



Breakthrough  
price



Easy Integration and  
Mounting

## PERFORMANCE:

### Frequencies:

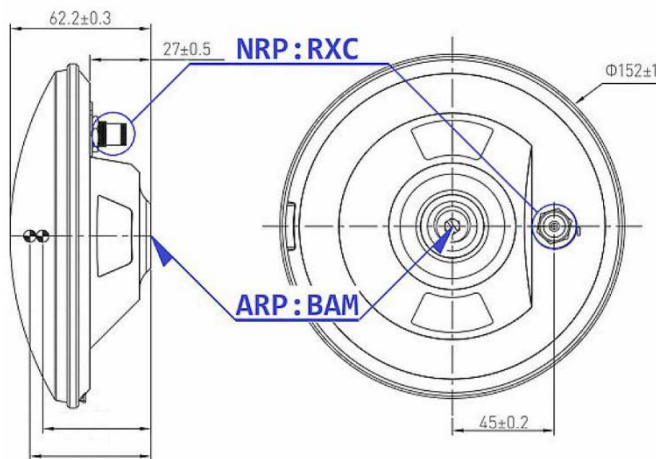
GPS L1/L2/L5/L-Band, GLONASS L1/L2/L3,  
BeiDou B1/B2/B3, Galileo E1/E5a/E5b/E6,  
QZSS L1/L2/L5/L6, SBAS L1/L5 and IRNSS L5

<b>Peak Gain:</b>	< = 5.5 dBi
<b>Polarization:</b>	RHCP
<b>Axial Ratio:</b>	< 3dB
<b>Azimuth Coverage:</b>	360°
<b>Impedance:</b>	50 Ohm
<b>Output VSWR:</b>	< 2.0
<b>Phase Center Offset:</b>	20.24 mm
<b>Phase Center Accuracy:</b>	+/- 3 mm

## Mechanical:

<b>Dimension:</b>	Width: 152 mm Height: 62.2 mm
<b>Connector:</b>	TNC Female
Screw Hole for assembly:	BSW 5/8"×11, 12-14mm
<b>Weight:</b>	500 g

## Structure Overview:



SIDE VIEW

BOTTOM VIEW

## LNA:

<b>LNA Gain:</b>	40 dB typical
<b>Noise Figure:</b>	< 2.0dB
<b>Output VSWR:</b>	< 2.0
<b>Operation Voltage:</b>	3.3-12 V DC
<b>Operation Current:</b>	< 45 mA
<b>Group Delay:</b>	< 5 ns

## Environmental:

<b>Operating Temp:</b>	-40° to +80°C
<b>Storage Temp:</b>	-55° to +85°C
<b>Humidity:</b>	95% not condensing
<b>Dust-&amp; Waterproof:</b>	IP67



ANAVS GmbH

Gotthardstraße 40, 80686 Munich

Phone: +49 (0) 89 89056721

Fax: +49 (0) 89 89056720

Email: [info@anavs.de](mailto:info@anavs.de)

Web: <http://www.anavs.de>